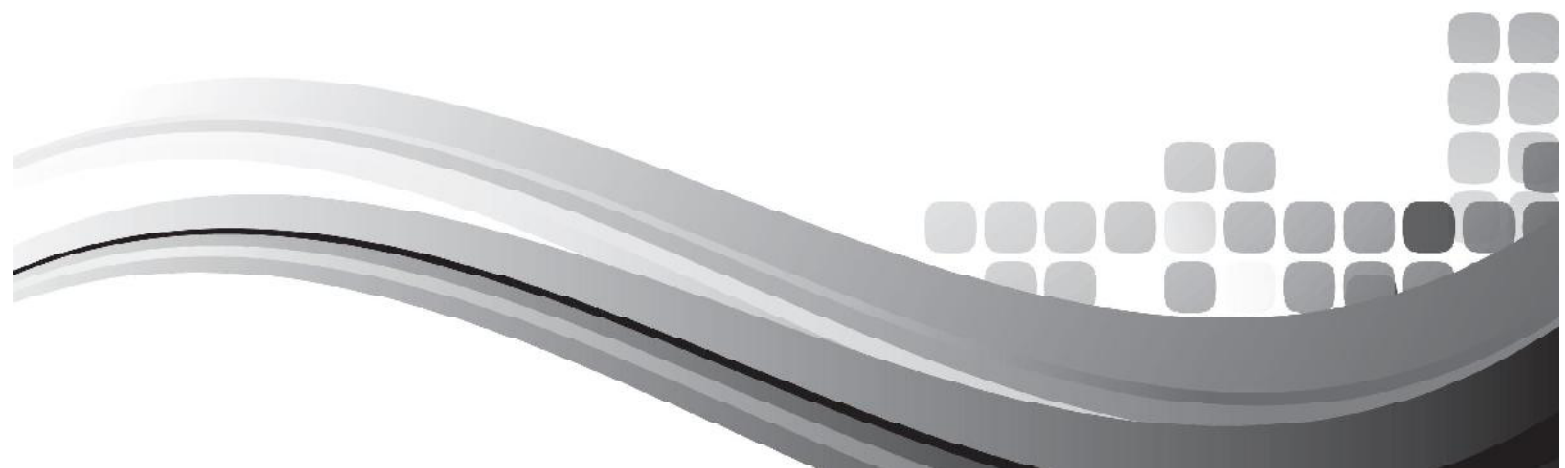




INSTALLATION AND OPERATION MANUAL

QuickFit Premium Coaxial Series

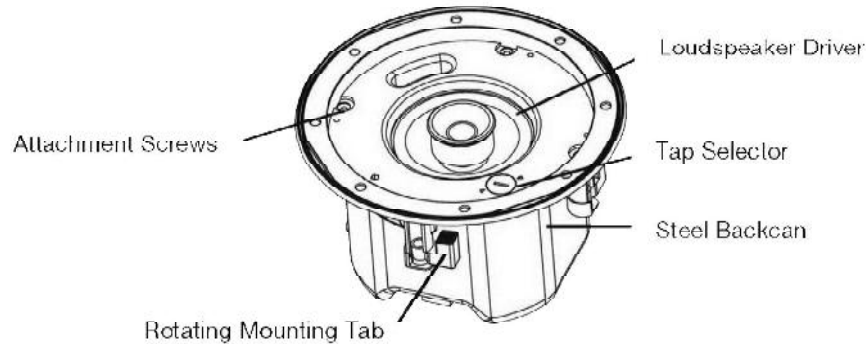




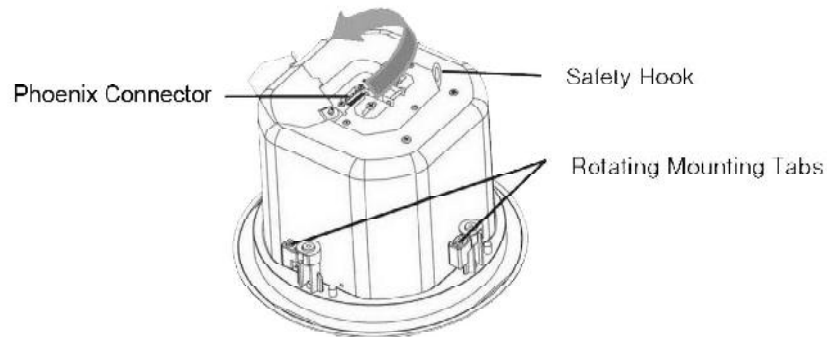
QuickFit Premium Coaxial Series

Speaker Diagram

Top Panel



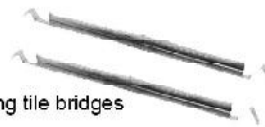
Rear Panel



Installation

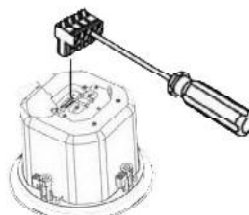
To ensure a reliable installation, please follow these steps carefully:

1. Assemble the speaker mounting bracket (see graphic below) by taking one of the alignment beams and sticking it under the groove in the "C" shaped speaker mounting bracket. Place in the desired install location and use 2 screws and 2 washers to connect. Repeat this process on the other side while making sure the holes line up evenly.



*Note only the QF60CS and QF80CS ship with ceiling tile bridges

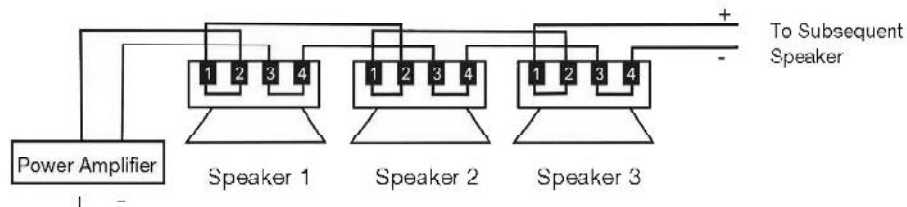
2. Determine the speaker position, taking into account any obstructions in the ceiling space.
3. Position the speaker mounting bracket so that the "C" shaped speaker mounting bracket fits the hole that you cut. Use a metal safety wire with a snap hook and loop it around a truss/beam on one end. Use a screw to mount the safety wire by fastening the speaker mounting bracket into the truss/beam that the safety wire is looped around. Make sure the screw head covers the surface area of the screw hole.
4. Remove the supplied 4-pin Euroblock from the speaker and connect it to the speaker cable (see graphic below).



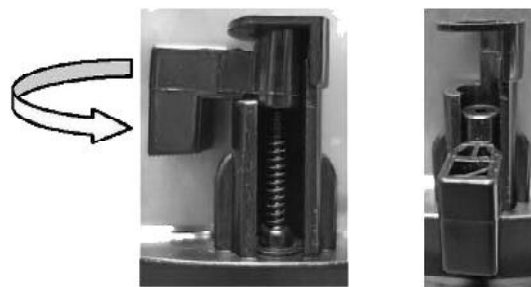


QuickFit Premium Coaxial Series

5. Use the provided loop-through terminals (see graphic below). When this wiring method is used, you should be aware that when a speaker is not plugged in there is no path to subsequent speakers. An alternative is to wire incoming and outgoing cables in parallel. Pin 2 is + and Pin 3 is -.

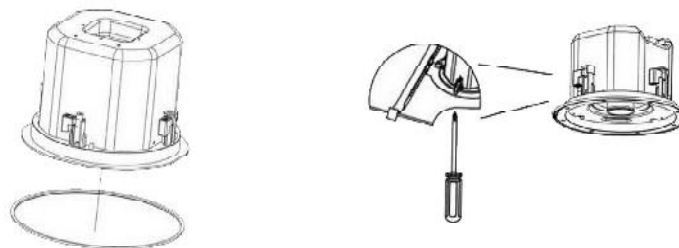


6. Insert the pre-wired phoenix connector, ensuring the correct polarity is being used.
7. Begin to insert speaker into the "C" shaped speaker mounting bracket. Make sure to connect the snap hook to the safety hook on the back of the speaker. When the speaker is flush with the ceiling leaving only the black magnetic face exposed, begin to tighten the 4 attachment screws which are connected to the mounting tabs (see graphics below). The screws will automatically turn once you begin rotating the screw clockwise. Repeat for all 4 tabs and make sure not to overtighten the screws.

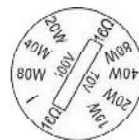


Note: Before you put the speaker into the ceiling, make sure all attachment screws are turned completely counter-clockwise so that the mounting tabs are touching the side of the steel backcan.

Note: Make sure to position the speaker so that the mounting tabs do not sit above the opening in the "C" shaped speaker mounting bracket.



8. Use a flat-head screwdriver to rotate the Tap Selector so that the correct power setting is adjacent to the arrow. Note that there are separate 70V and 100V scales, depending on the line voltage being used (see the graphic below). The transformer may also be bypassed by selecting the 16 ohm position. It may be best to leave the grill off until setting the power is complete in case adjustments are needed.



9. Attach the magnetic grill on the speaker.

ENGINEERED BY AUSTRALIAN MONITOR
Address: 1 Clyde St, Silverwater NSW 2128 Australia.
Website: www.australianmonitor.com.au
International enquiries email: international@australianmonitor.com.au
ABN 35 007 573 417