

# C 10

## Mid/High Line Array Unit

Part number: 1007696

The narrow 60° horizontal directivity and the very high maximum sound pressure level make this mid/high unit particularly suitable for high flying heights and sound depths. The use of two 1.4" compression drivers ensures that high-frequency signals can be adequately reproduced, even at great distances.

### Characteristics

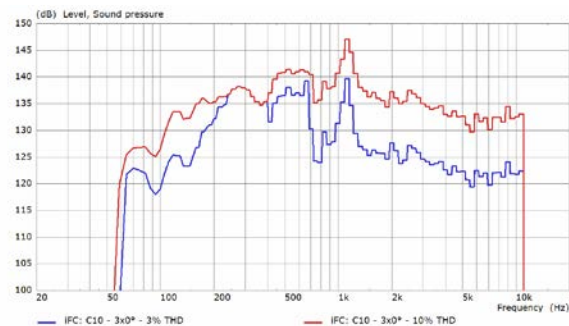
- Recommended for applications with large sound depths and/or very high sound pressure levels at medium distances
- The horizontal dispersion can be converted from 60° to 80° (directivity converter included)
- Suitable for forming vertically asymmetrical dispersion arrays with C 6 and C 8
- Very good full-range performance
- No adapter frame necessary in combination with C 6 and C 8



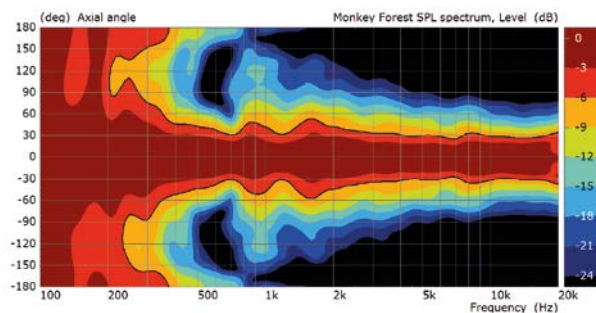
# C 10 Mid/High Line Array Unit

## Technical data

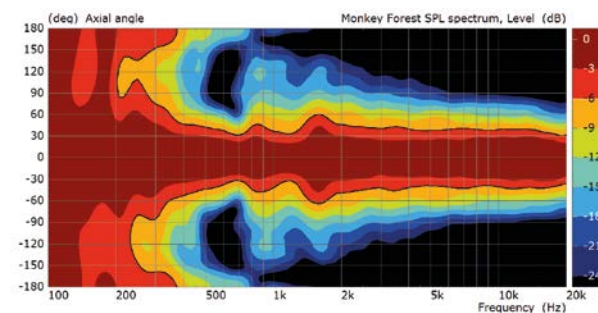
C 10	
Power-handling nominal (RMS)	800 W
Power-handling, program	1600 W
Frequency response +/-3 dB	58 Hz - 18 kHz
Frequency response -10 dB	53 Hz - 19 kHz
Sensitivity 1 W @ 1 m	108 dB (100 Hz - 10 kHz), full space
Max. SPL @ 10% THD (EN 60268-21:2019)	147 dB (3 units C 10)
Electrical impedance	8 ohms
Low/mid speaker	2x 10", 2,5" voice coil
HF Driver	2x 1,4", 3" voice coil
Directivity	60° horizontal (80° optional)
Crossover frequency	850 Hz, 12 dB/oct.
Connections	2x Speakon NL4 (with sealing cap)
Rigging points	3-point rigging hardware with black KTL coating
Carrying handles	4x recessed grip
Housing	Birch multiplex
Finish	PU coating black
Front grille	Steel front grill with anticorrosive coating, acoustic foam
Dimensions (WxHxD)	60 x 32 x 47.5 cm 23-5/8 x 12-43/64 x 18-45/64"
Weight	32.1 kg / 70.8 lbs, 32.4 kg / 71.4 lbs with 80° brackets mounted



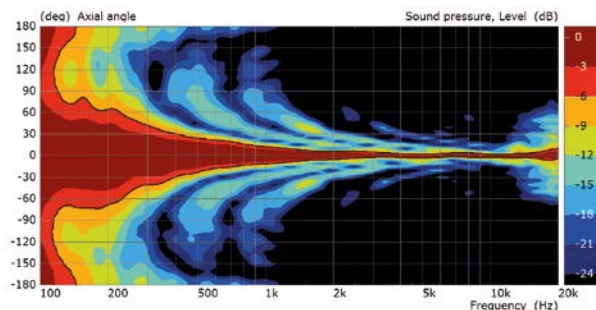
Max. SPL (3x C 10 units)  
(blue = 3 % THD, red = 10 % THD)



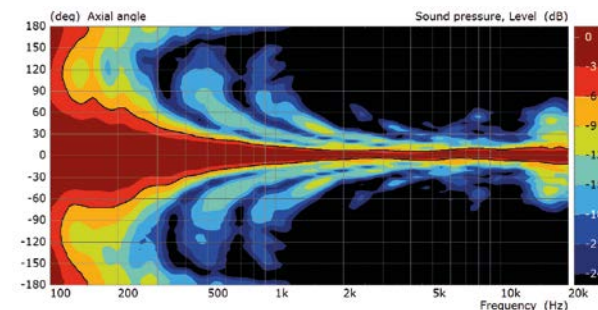
60° Horizontal directivity



80° Horizontal directivity



Vertical directivity  
(3X C 10 units with 0° splay)



Vertical directivity  
(3X C 10 units with 3° splay)

## Accessories

### CRF-60

**Part number:** 1007677

The compact CRF-60 serves as the rigging and adapter frame for all COSMO series mid/high units. With the benefit of its lean dimensions and 350 kg MWL, it is a great add-on for smaller COSMO setups. When paired with the optional M20 Adapter, this frame connects subwoofers and mid/high units in ground stacks.



### CRF-80

**Part number:** 1007678

The CRF-80 serves as the rigging and adapter frame for all COSMO series mid/high units. It can also accommodate the CF 118 subwoofer. Rated for 700 kg maximum working load (MWL), this rigging frame is used in large COSMO setups with flown subwoofers. When paired with the optional M20 Adapter, this frame connects subwoofers and mid/high units in ground stacks.



### CRF-PB

**Part number:** 1007679

The CRF-PB pullback frame enables compressed mode rigging with the included lashing strap and, with a suitable pole mount adapter, lets you place COSMO mid/high units on speaker stands.



### C-WB

**Part number:** 1007698

The compact COSMO wheel board is a space-saving alternative for transporting C 6, C 8 or C 10 mid/high units. The fitted cover protects the speaker in transit.



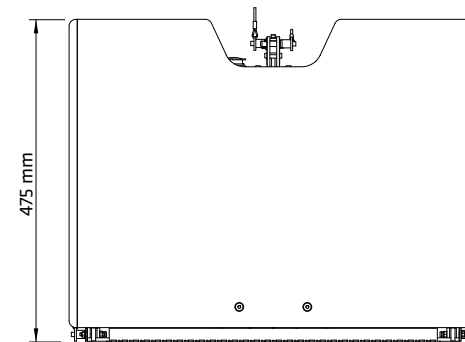
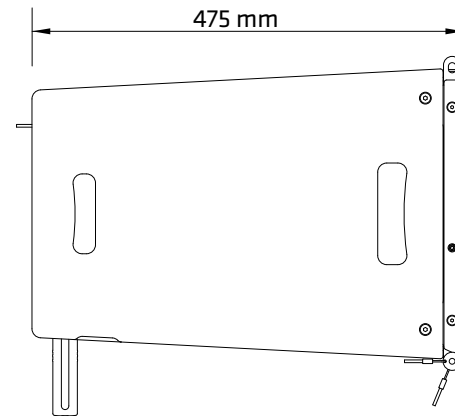
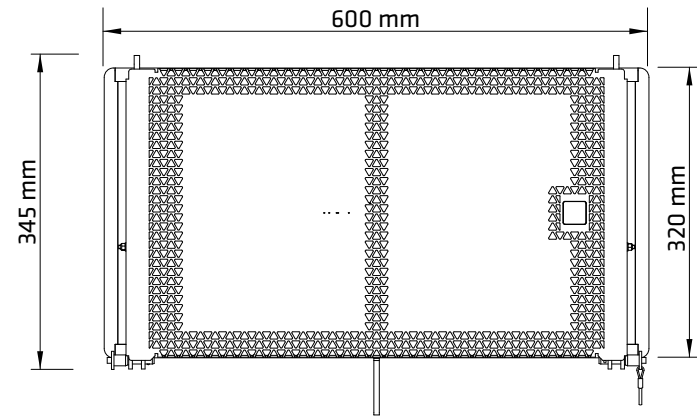
### C-GSA

**Part number:** 1007682

The C-GSA ground stack adapter connects rigging frames and mid/high units for use in ground stacks and lets you aim the array by adjusting the tilt angle.



# C 10 Mid/High Line Array Unit



HK Audio  
Postfach 1509  
66595 St. Wendel, Germany

info@hkaudio.com  
fax +49-68 51-905 215  
www.pro.hkaudio.com