

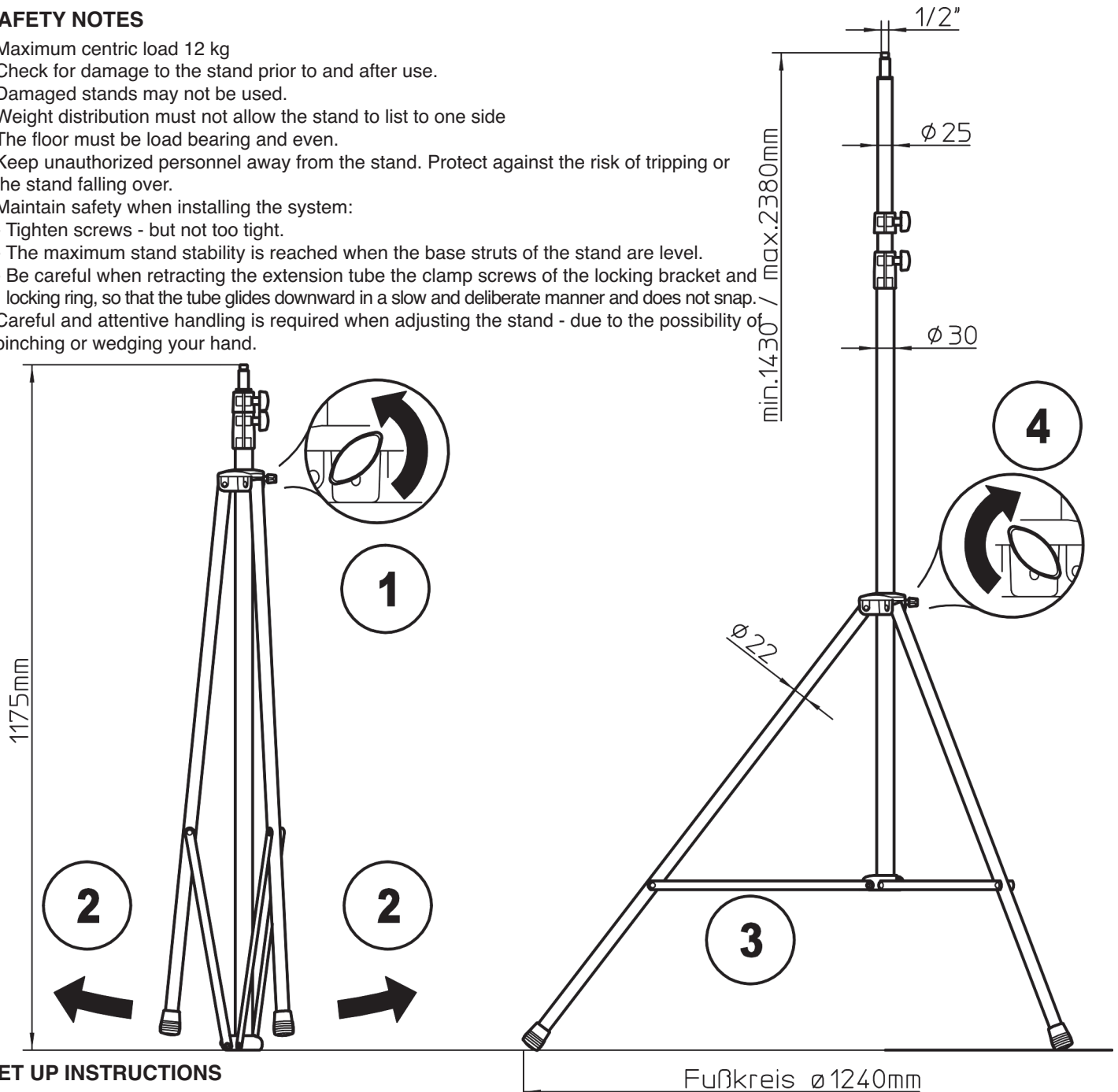
21411 Overhead microphone stand

- For special stage and studio performances
- Equally suited for home, object and public areas
- Extension tube combination with additional locking ring
- Expansive extension area for a wide array of uses: Stand up to 2.4 m variable extension
- Retrofit with Boom Arm 21231
- Height min. 1430 / max. 2380 mm, Base Circumference \varnothing 1240 mm, 1/2"- Connector Thread, Weight: 5 kg

Thank you for choosing this product. The instructions provide directions to all of the important set up and handling steps. We recommend you keep these instructions for future reference.

SAFETY NOTES

- Maximum centric load 12 kg
- Check for damage to the stand prior to and after use. Damaged stands may not be used.
- Weight distribution must not allow the stand to list to one side
- The floor must be load bearing and even.
- Keep unauthorized personnel away from the stand. Protect against the risk of tripping or the stand falling over.
- Maintain safety when installing the system:
 - Tighten screws - but not too tight.
 - The maximum stand stability is reached when the base struts of the stand are level.
 - Be careful when retracting the extension tube the clamp screws of the locking bracket and locking ring, so that the tube glides downward in a slow and deliberate manner and does not snap.
- Careful and attentive handling is required when adjusting the stand - due to the possibility of pinching or wedging your hand.



SET UP INSTRUCTIONS

Setting up the 21411 Overhead Microphone Stand is very easy. It comes pre-assembled and only needs to be placed in the proper position.

1 Loosen the clamping screw of the triangular clamp/bracket a bit.

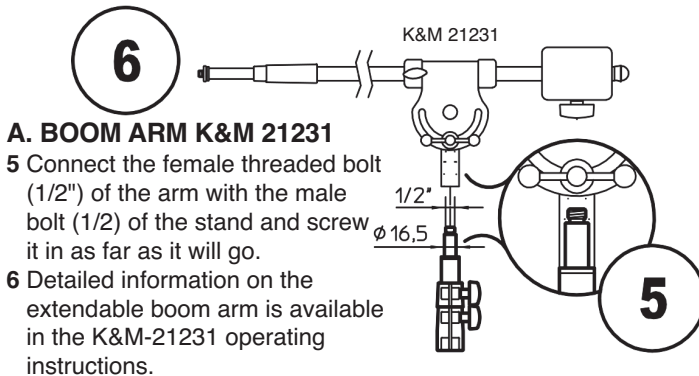
2 Expand the legs until...

3 ...the connecting struts are horizontal.

4 Re-tighten the lower clamping screw. NOTE: Manual strength is sufficient; do not overtighten - this will negatively affect the components - and should be avoided.

USAGE NOTES / FUNCTION

MOUNT THE MICROPHONE (with K&M-Accessories- not provided with the delivery)



A. BOOM ARM K&M 21231

5 Connect the female threaded bolt (1/2") of the arm with the male bolt (1/2) of the stand and screw it in as far as it will go.

6 Detailed information on the extendable boom arm is available in the K&M-21231 operating instructions.

B. K&M MICROPHONE CLIPS

85035 - ø 17-22 mm

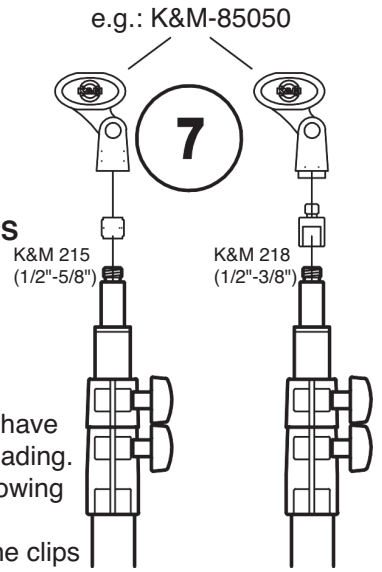
85050 - ø 22-28 mm

85055 - ø 28-34 mm

85060 - ø 34-40 mm

8507,0 - ø 34-40 mm

7 The Microphone Clips each have 3/8" and 5/8"-connector threading. To mount 21411 use the following Reducer thread adapters:
K&M 215 for 5/8"-microphone clips
K&M 218 for 3/8"-microphone clips

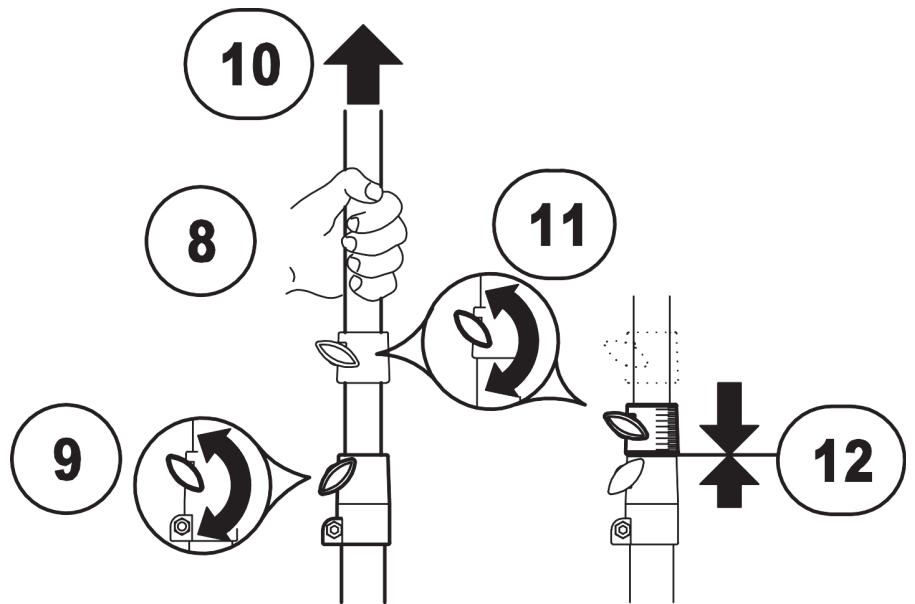


STAND HEIGHT ADJUSTMENT

NOTE:

- 8 Prior to loosening the clamp screw hold the extension tube in one hand
- 9 Loosen the clamping screw of the clamp/bracket
- 10 Adjust the extension tube to the desired height and tighten the clamping screw 9
- 11 Loosen the clamp/bracket of the locking ring
- 12 Place the locking ring on the clamping bracket; tighten the clamping screw 11

The stand is retracted in the reverse order.



CHECK, MAINTENANCE, CLEANING

- Careful use of the stand maintains the use of the telescope and the load bearing functionality of the stand, as well as the safety of the installation
- Perform workstation maintenance only without the microphone attached and watch for possible risks (pinched hands/fingers, impact or the stand falls over)
- To care for the product use a damp cloth and a non-abrasive cleaning agent

FAULT-FINDING (F) and REPAIR (R)

F: Stand is not stable

F: The extension tube is not stable

F: The extension tube retracts with a product attached to it

F: Stand tilts to one side

R: Ensure that the surface is even, tighten the clamping screw

R: Tighten the clamping bracket and the locking ring

R: Check the load (max 12 kg) and tighten the clamp screws

R: Ensure that the surface is even

B: Balance the boom arm and ensure the load is placed over a leg/foot

TECHNISCHE DATEN / SPEZIFIKATIONEN

Material	- Tubes, threaded bolts: Steel - Brackets: Polyamid (PA) - End caps: TPE - Connection elements: Steel galvanized	Packaging Weight	W x D x H: 100 x 90 x 1170 mm 5 kg
		Box Weight	W x D x H: 130 x 120 x 1185 mm 5.7 kg
Dimensions	- Height: 1430-2380 mm - Base circumference: ø 1240 mm	Accessories (optional)	- Boom arm 21231 - Thread adapter 215, 218 - Microphone clips 85035, 85050, 85055, 85060 - Carry case 21311